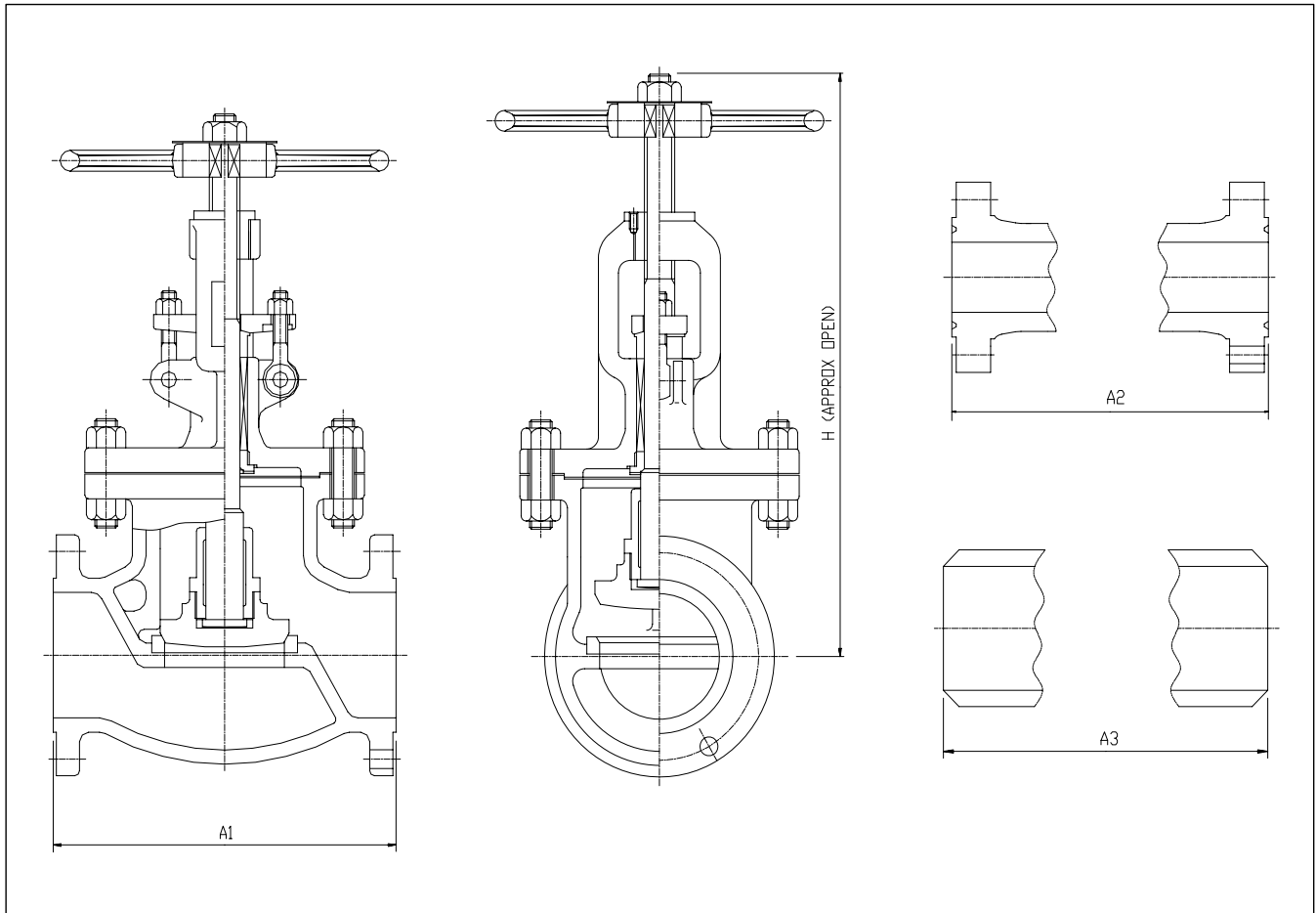


BOLTED BONNET TYPE GLOBE VALVES



| NO. | NAME OF PART | ASTM MATERIAL | | | | | | | | | |
|-----|----------------|------------------|--------------------|------------|------------|-------------------|--------------------|-----------|-------------|--------------|--|
| | | STANDARD | HIGH TEMP. SERVICE | | | LOW TEMP. SERVICE | STAINLESS STEEL | | ALLOY STEEL | | |
| 1 | BODY | A216-WCB | A217-WC6 | A217-WC9 | A217-C5 | A352-LCB | A351-CF8 | A351-CF8M | A351-CN7M | A351-CK3MCUN | |
| 2 | BONNET | A216-WCB | A217-WC6 | A217-WC9 | A217-C5 | A352-LCB | A351-CF8 | A351-CF8M | A351-CN7M | A351-CK3MCUN | |
| 3 | DISC | A217-CA15 | A217-WC6 | A217-WC9 | A217-C5 | A352-LCB | A351-CF8 | A351-CF8M | A351-CN7M | A351-CK3MCUN | |
| 4 | BODY SEAT RING | A105 + H.F | A182-F11 | A182-F22 | A182-F5a | A182-F304 | A182-F304 | A182-F316 | A351-CN7M | A182-F51 | |
| 5 | STEM | A276-410 | A276-410 | A276-410 | A276-410 | A276-304 | A276-304 | A276-316 | ALLOY 20 | A182-F51 | |
| 6 | DISC GRAND | A276-410 | A276-410 | A276-410 | A276-410 | A276-304 | A276-304 | A276-316 | ALLOY 20 | A182-F51 | |
| 6 | BONNET BUSH | A276-410 | A276-410 | A276-410 | A276-410 | A276-304 | A276-304 | A276-316 | ALLOY 20 | A182-F51 | |
| 7 | PACKING GLAND | A276-410 | A276-410 | A276-410 | A276-410 | A276-304 | A276-304 | A276-304 | A276-304 | A276-304 | |
| 8 | GLAND FLANGE | A105 OR A283 - D | | | | | A351-CF8 (304SS) | | | | |
| 9 | YOKE SLEEVE | A439 - D2C | | | | | AL-BRONZE | | | | |
| 10 | BONNET BOLT | A193 - B7 | A193 - B16 | A193 - B16 | A193 - B16 | A320 - L7 | A193 - B8 | A193 - B8 | A193 - B8 | A193 - B8 | |
| 11 | BONNET NUT | A194 - 2H | A194 - 4 | A194 - 4 | A194 - 4 | A194 - 4 | A194 - 8 | A194 - 8 | A194 - 8 | A194 - 8 | |
| 12 | GLAND BOLT | A307 - B | | | | | A193 - B8 | | | | |
| 13 | GLAND NUT | A307 - B | | | | | A194 - 8 | | | | |
| 14 | HINGE PIN | A108 - 1020 | | | | | A276-304 | | | | |
| 15 | LANTERN RING | A276-410 | | | A276-304 | | A276-304 | A276-316 | ALLOY 20 | A182-F51 | |

MAIN DIMENSIONS & WEIGHT (CLASS 150)

| VALVE SIZE | in | 2 | 2.5 | 3 | 4 | 6 | 8 | 10 | 12 | 14 | 16 | 18 | |
|------------|----|------|------|-------|-------|-------|-------|-------|-------|-------|-------|-------|------|
| | mm | 50 | 65 | 80 | 100 | 150 | 200 | 250 | 300 | 350 | 400 | 450 | |
| A1 & A3 | in | 8.0 | 8.5 | 9.5 | 11.5 | 16.0 | 19.5 | 24.5 | 27.5 | 31.0 | 36.0 | 38.5 | |
| | mm | 203 | 216 | 241 | 292 | 406 | 495 | 622 | 698 | 787 | 914 | 978 | |
| A2 | in | 8.50 | 9.00 | 10.00 | 12.00 | 16.50 | 20.00 | 25.00 | 28.00 | 31.50 | 36.50 | 39.00 | |
| | mm | 216 | 229 | 254 | 305 | 419 | 508 | 635 | 711 | 800 | 927 | 991 | |
| H | in | 13.2 | 14.6 | 16.9 | 18.9 | 22.9 | 28.3 | 32.3 | 39.4 | 53.6 | 53.9 | 75.9 | |
| | mm | 335 | 371 | 429 | 480 | 582 | 719 | 820 | 1001 | 1361 | 1369 | 1928 | |
| W | in | 7.9 | 8.8 | 8.8 | 9.8 | 14.0 | 14.0 | 17.7 | 17.7 | 22.0 | 22.0 | 24.0 | |
| | mm | 200 | 224 | 224 | 250 | 355 | 355 | 450 | 450 | 560 | 560 | 610 | |
| L | in | | | | | | | | | 16.0 | 16.0 | 17.0 | |
| | mm | | | | | | | | | 406 | 406 | 432 | |
| WEIGHT | RF | lb | 46 | 75 | 86 | 126 | 236 | 397 | 644 | 1003 | 1497 | 1978 | 2796 |
| | | kg | 21 | 34 | 39 | 57 | 107 | 180 | 292 | 455 | 679 | 897 | 1268 |
| | BW | lb | 40 | 62 | 73 | 110 | 209 | 357 | 576 | 917 | 1330 | 1788 | 2134 |
| | | kg | 18 | 28 | 33 | 50 | 95 | 162 | 261 | 416 | 603 | 811 | 968 |

MAIN DIMENSIONS & WEIGHT (CLASS 300)

| VALVE SIZE | in | 2 | 2.5 | 3 | 4 | 6 | 8 | 10 | 12 | 14 | 16 | 18 | |
|------------|----|-------|-------|-------|-------|-------|-------|-------|-------|-------|-------|-------|------|
| | mm | 50 | 65 | 80 | 100 | 150 | 200 | 250 | 300 | 350 | 400 | 450 | |
| A1 & A3 | in | 10.5 | 11.5 | 12.5 | 14.0 | 17.5 | 22.0 | 24.5 | 28.0 | 33.0 | 34.0 | 38.5 | |
| | mm | 267 | 292 | 318 | 356 | 444 | 559 | 622 | 711 | 838 | 864 | 978 | |
| A2 | in | 11.12 | 12.12 | 13.12 | 14.62 | 18.12 | 22.62 | 25.12 | 28.62 | 33.60 | 34.60 | 39.12 | |
| | mm | 283 | 308 | 333 | 371 | 460 | 575 | 638 | 727 | 854 | 879 | 994 | |
| H | in | 15.1 | 16.2 | 18.4 | 21.9 | 27.7 | 31.2 | 42.3 | 44.9 | 54.8 | 70.3 | 74.1 | |
| | mm | 384 | 411 | 467 | 556 | 704 | 792 | 1074 | 1140 | 1392 | 1786 | 1882 | |
| W | in | 7.9 | 8.8 | 9.8 | 14.0 | 17.7 | 22.0 | 22.0 | 28.0 | 28.0 | 31.5 | 35.4 | |
| | mm | 200 | 224 | 250 | 355 | 450 | 560 | 560 | 710 | 710 | 800 | 900 | |
| L | in | | | | | | | 16.3 | 18.4 | 18.4 | 20.7 | 20.7 | |
| | mm | | | | | | | 414 | 467 | 467 | 526 | 526 | |
| WEIGHT | RF | lb | 68 | 88 | 137 | 205 | 386 | 593 | 1003 | 2068 | 2335 | 3138 | 3343 |
| | | kg | 31 | 40 | 62 | 93 | 175 | 269 | 455 | 938 | 1059 | 1423 | 1516 |
| | BW | lb | 62 | 75 | 115 | 165 | 326 | 527 | 873 | 1870 | 2055 | 2853 | 3003 |
| | | kg | 28 | 34 | 52 | 75 | 148 | 239 | 396 | 848 | 932 | 1294 | 1362 |

MAIN DIMENSIONS & WEIGHT (CLASS 600)

| VALVE SIZE | in | 2 | 2.5 | 3 | 4 | 6 | 8 | 10 | 12 | 14 | 16 | 18 | |
|------------|----|-------|-------|-------|-------|-------|-------|-------|-------|-------|-------|-------|------|
| | mm | 50 | 65 | 80 | 100 | 150 | 200 | 250 | 300 | 350 | 400 | 450 | |
| A1 & A3 | in | 11.5 | 13.0 | 14.00 | 17.0 | 22.00 | 26.0 | 31.0 | 33.00 | 35.0 | 39.0 | 43.0 | |
| | mm | 292 | 330 | 356 | 432 | 556 | 660 | 787 | 838 | 889 | 991 | 1092 | |
| A2 | in | 11.62 | 13.12 | 14.12 | 17.12 | 22.12 | 26.12 | 31.12 | 33.12 | 35.12 | 39.12 | 43.12 | |
| | mm | 295 | 333 | 359 | 435 | 562 | 664 | 791 | 841 | 892 | 994 | 1094 | |
| H | in | 16.9 | 19.3 | 19.8 | 22.4 | 29.8 | 45.9 | 53.6 | 63.4 | 69.8 | 75.3 | 80.5 | |
| | mm | 429 | 490 | 503 | 569 | 757 | 1166 | 1361 | 1610 | 1773 | 1913 | 2045 | |
| W | in | 8.8 | 9.8 | 11.0 | 14.0 | 17.7 | 28.0 | 31.5 | 35.4 | 35.4 | 35.4 | 39.4 | |
| | mm | 224 | 250 | 280 | 355 | 450 | 710 | 800 | 900 | 900 | 900 | 1000 | |
| L | in | | | | | | 18.5 | 20.8 | 24.2 | 24.2 | 26.4 | 26.4 | |
| | mm | | | | | | 470 | 528 | 615 | 615 | 671 | 671 | |
| WEIGHT | RF | lb | 97 | 146 | 165 | 298 | 615 | 1246 | 1894 | 2769 | 3868 | 4401 | 5131 |
| | | kg | 44 | 66 | 75 | 135 | 279 | 565 | 859 | 1256 | 1754 | 1996 | 2327 |
| | BW | lb | 75 | 112 | 126 | 214 | 450 | 1078 | 1550 | 2194 | 3204 | 3799 | 4399 |
| | | kg | 34 | 51 | 57 | 97 | 204 | 489 | 703 | 995 | 1453 | 1723 | 1995 |

MAIN DIMENSIONS & WEIGHT (CLASS 900)

| VALVE SIZE | in | 2 | 2.5 | 3 | 4 | 6 | 8 | 10 | 12 | 14 | 16 | |
|------------|----|-------|-------|-------|-------|-------|-------|-------|-------|-------|-------|------|
| | mm | 50 | 65 | 80 | 100 | 150 | 200 | 250 | 300 | 350 | 400 | |
| A1 & A3 | in | 14.5 | 16.5 | 15.0 | 18.0 | 24.0 | 29.0 | 33.0 | 38.0 | 40.5 | 44.5 | |
| | mm | 368 | 419 | 381 | 457 | 610 | 737 | 838 | 965 | 1029 | 1130 | |
| A2 | in | 14.62 | 16.62 | 15.12 | 18.12 | 24.12 | 29.12 | 33.12 | 38.12 | 40.88 | 44.88 | |
| | mm | 371 | 422 | 384 | 460 | 613 | 740 | 841 | 968 | 1038 | 1140 | |
| H | in | 27.1 | 27.4 | 29.9 | 33.5 | 50.3 | 63.9 | 65.8 | 68.3 | 84.6 | 101.2 | |
| | mm | 688 | 696 | 759 | 851 | 1278 | 1623 | 1671 | 1735 | 2149 | 2570 | |
| W | in | 11.8 | 14.0 | 15.7 | 15.7 | 22.0 | 31.5 | 31.5 | 35.4 | 35.4 | 35.4 | |
| | mm | 300 | 355 | 400 | 400 | 560 | 800 | 800 | 900 | 900 | 900 | |
| L | in | | | | | 16.3 | 20.7 | 20.7 | 26.4 | 26.4 | 26.4 | |
| | mm | | | | | 414 | 526 | 526 | 671 | 671 | 671 | |
| WEIGHT | RF | lb | 232 | 258 | 232 | 423 | 1065 | 2681 | 4339 | 5731 | 7854 | 9343 |
| | | kg | 105 | 117 | 105 | 192 | 483 | 1216 | 1968 | 2599 | 3562 | 4237 |
| | BW | lb | 198 | 225 | 209 | 364 | 926 | 2388 | 3865 | 5173 | 7089 | 8361 |
| | | kg | 90 | 102 | 95 | 165 | 420 | 1083 | 1753 | 2346 | 3215 | 3792 |

MAIN DIMENSIONS & WEIGHT (CLASS 1500)

| VALVE SIZE | in | 2 | 2.5 | 3 | 4 | 6 | 8 | 10 | 12 | 14 | 16 | |
|------------|----|-------|-------|-------|-------|-------|-------|-------|-------|-------|-------|-------|
| | mm | 50 | 65 | 80 | 100 | 150 | 200 | 250 | 300 | 350 | 400 | |
| A1 & A3 | in | 14.5 | 16.5 | 18.5 | 21.5 | 27.75 | 32.75 | 39.0 | 44.5 | 49.5 | 54.5 | |
| | mm | 368 | 419 | 470 | 546 | 705 | 832 | 991 | 1130 | 1257 | 1384 | |
| A2 | in | 14.62 | 16.62 | 18.62 | 21.62 | 28.00 | 33.13 | 39.38 | 45.12 | 50.25 | 55.38 | |
| | mm | 371 | 422 | 473 | 549 | 711 | 841 | 1000 | 1146 | 1276 | 1407 | |
| H | in | 27.3 | 28.1 | 31.7 | 40.3 | 53.2 | 73.6 | 90.7 | 104.9 | 125.5 | 159.4 | |
| | mm | 693 | 714 | 805 | 1024 | 1351 | 1869 | 2304 | 2664 | 3188 | 4049 | |
| W | in | 11.8 | 14.0 | 17.7 | 19.7 | 28.0 | 35.4 | 35.4 | 39.4 | 39.4 | 39.4 | |
| | mm | 300 | 355 | 450 | 500 | 710 | 900 | 900 | 1000 | 1000 | 1000 | |
| L | in | | | | | 16.5 | 18.2 | 20.5 | 20.5 | 22.7 | 22.7 | |
| | mm | | | | | 419 | 462 | 521 | 521 | 577 | 577 | |
| WEIGHT | RF | lb | 232 | 258 | 415 | 756 | 1475 | 4223 | 6743 | 9312 | 11766 | 14293 |
| | | kg | 105 | 117 | 188 | 343 | 669 | 1915 | 3058 | 4223 | 5336 | 6482 |
| | BW | lb | 198 | 225 | 304 | 628 | 1211 | 3834 | 5982 | 8053 | 10489 | 11931 |
| | | kg | 90 | 102 | 138 | 285 | 549 | 1739 | 2713 | 3652 | 4757 | 5411 |

MAIN DIMENSIONS & WEIGHT (CLASS 2500)

| VALVE SIZE | in | 2 | 2.5 | 3 | 4 | 6 | 8 | 10 | 12 | |
|------------|----|-------|-------|-------|-------|-------|-------|-------|-------|-------|
| | mm | 50 | 65 | 80 | 100 | 150 | 200 | 250 | 300 | |
| A1 & A3 | in | 17.75 | 20.0 | 22.75 | 26.5 | 36.0 | 42.25 | 50.0 | 56.0 | |
| | mm | 451 | 508 | 578 | 673 | 914 | 1022 | 1270 | 1422 | |
| A2 | in | 17.87 | 20.25 | 23.00 | 26.88 | 36.50 | 40.87 | 50.88 | 56.88 | |
| | mm | 454 | 514 | 584 | 683 | 927 | 1038 | 1292 | 1445 | |
| H | in | 27.9 | 31.2 | 34.5 | 48.8 | 74.2 | 95.9 | 108.6 | 137.4 | |
| | mm | 709 | 792 | 876 | 1240 | 1885 | 2436 | 2758 | 3490 | |
| W | in | 15.7 | 17.7 | 19.7 | 28.0 | 31.5 | 35.4 | 39.4 | 39.4 | |
| | mm | 400 | 450 | 500 | 610 | 800 | 900 | 1000 | 1000 | |
| L | in | | | | | 17.0 | 21.3 | 22.3 | 23.2 | |
| | mm | | | | | 432 | 541 | 566 | 589 | |
| WEIGHT | RF | lb | 417 | 653 | 767 | 1799 | 5034 | 10480 | 14943 | 18573 |
| | | kg | 189 | 296 | 348 | 816 | 2283 | 4753 | 6777 | 8423 |
| | BW | lb | 346 | 520 | 613 | 1495 | 4392 | 9539 | 13129 | 16249 |
| | | kg | 157 | 236 | 278 | 678 | 1992 | 4326 | 5954 | 7369 |